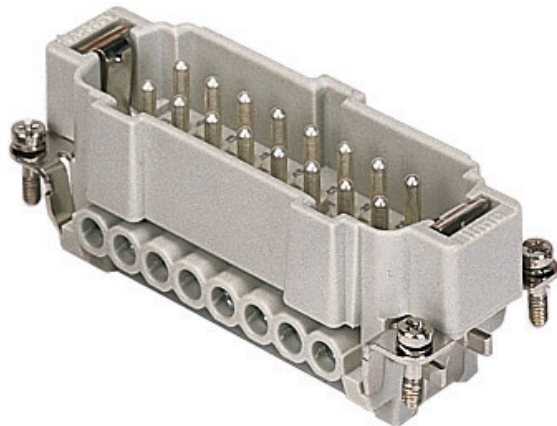




Part number

CNEM 16 T



Brief description:

male insert, 16 poles + PE, screw terminal connections, 16A, 500V, 6kV, 3, silver plated, size "77.27", CLASS insert series

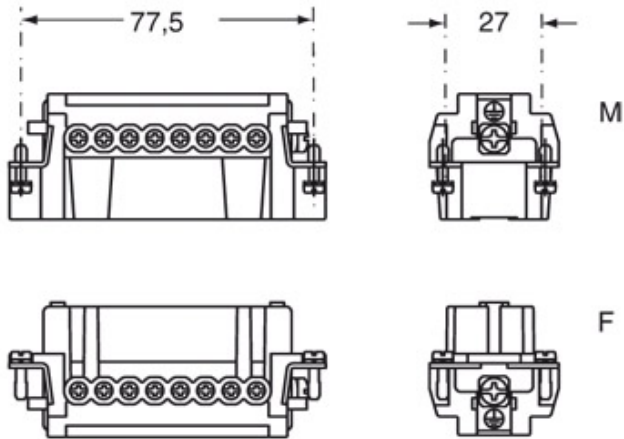
Product description		Approvals / Standards	
Model	male insert	Reference standard	EN 61984:2009-06
Version	screw terminal connections	Quality mark	 DNV-GL, EAC
Series	CNE	Conformity	CQC, CE
Product type	with male contacts	General ordering information	
Variant	with plate	EAN13 code	8015747033060
Family	CLASS inserts	ETIM classification	EC000438
Size	size "77.27"	Packaging Information	
N. of poles	16 poles + 	Packaging length	230,00 mm
Technical data		Packaging height	110,00 mm
Current	16 A	Packaging width	180,00 mm
Voltage	500 V	Packaging weight	2,79 kg
Rated impulse withstand voltage	6 kV	Packaging volume	4,55 dm ³
Pollution degree	3	Packaging description	Carton box
Wire cross-section	0,50 mm ² - 4,00 mm ²	Packaging quantity	30 Pcs
AWG size	20 - 12	Packaging EAN code	8015747033077
Operating temperature range (min, max)	-40 °C ... +125 °C	Sub-packaging length	87,00 mm
Contact material	silver plated	Sub-packaging height	36,00 mm
Mating cycles	≥ 500	Sub-packaging width	180,00 mm
IP degree of protection	IP20 without enclosure, IP65/IP66/IP68/IP69 with enclosure	Sub-packaging weight	0,47 kg
PE terminal stripping length	7 mm	Sub-packaging volume	0,56 dm ³
PE wire cross-section	0,14 - 4 mm ² ; AWG 20 - 12	Sub-packaging description	Carton tray
Further technical details		Sub-packaging quantity	5 Pcs
Characteristics according to EN 61984	16A 500V 6kV 3; 16A 400/690V 6kV 2	Sub-packaging EAN barcode	8015747033084
Insulation resistance	≥ 10 GΩ		
Contact resistance	≤ 1 mΩ		
Rated voltage according to UL/CSA	600 V		
UL 94 flammability rating	V-0		
Conductors stripping length	7 mm		
Torque for main contact	M3: 0,5 Nm; 4,4 lb.in (Ph0 or 0,8 x 4 mm)		
Weight	82,00 g		

Part number

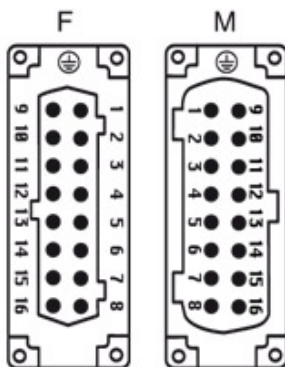
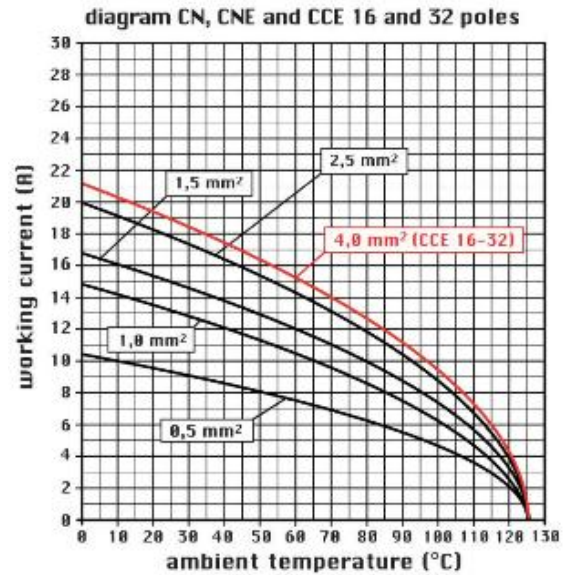
CNEM 16 T



Catalogue drawings



Catalogue drawings



Notes

CNEF/M 16 T inserts:

- characteristics according to EN 61984:
(16A 500V 6kV 3)
(16A 400/690V 6kV 2)
- rated voltage according to UL/CSA: 600V
- insulation resistance: > 10 GOhm
- ambient temperature limit: -40 °C ... +125 °C
- are made of self-extinguishing thermoplastic resin UL 94 V0
- mechanical life: > 500 cycles
- contact resistance: < 1 mOhm
- enclosures: size "77.27":
C-TYPE IP65/IP66
C7 IP67 stainless steel lever

- V-TYPE IP65/IP66
stainless steel lever
- T-TYPE IP65 insulating
- JEI zinc-plated steel lever
- BIG hoods
- W-YPE aggressive environments
- EMC
- central lever
- IP68
- panel supports:
COB

CNE ... : for non-prepared conductors



CNE ... X : for conductors with bush terminal
